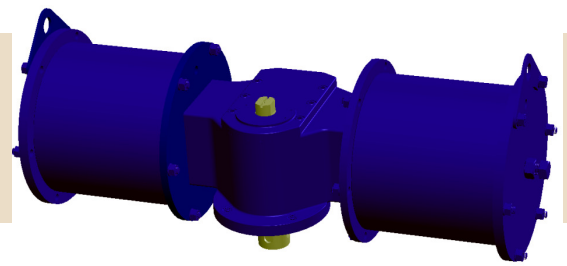
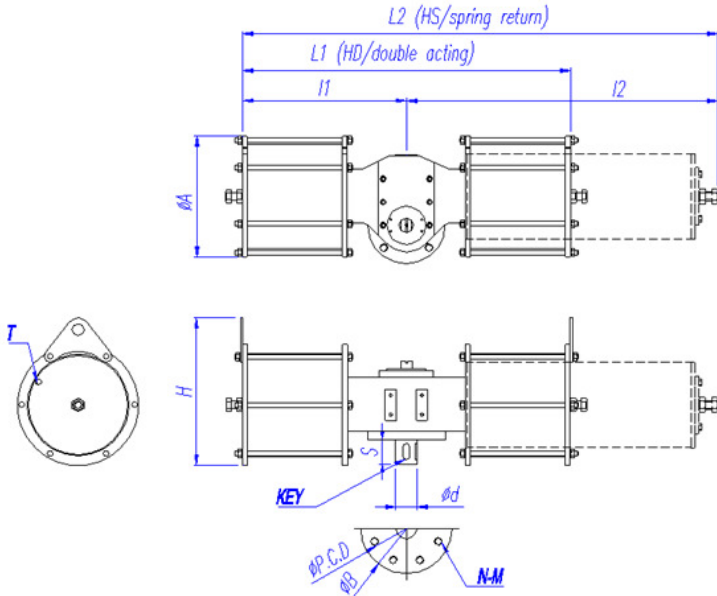


Heavy-duty



Dimension Table



MODEL	L	L2	I1	I2	H	A	B	N- M
H250	846	1,423	423	1,000	410	313	200	4- M20
H300	1,100	1,640	550	1,090	440	370	300	8- M16
H350	1,390	1,790	695	1,095	487	408	340	8- M20
HD400	1,390		695	1,095	487	470	340	8- M20
MODEL	P.C.D (∅)	S	d	T	KEY	HD (Kg)	HS (Kg)	
H250	165	65	55	PT 3/8"	16*10T	150	220	
H300	254	85	70	PT 3/8"	20*12T	200	260	
H350	298	85	80	PT 1/2"	22*14T	350	380	
HD400	298	85	80	PT 1/2"	22*14T	380		

HD Series Torque Tableunit : Nm

Model	Angle	Supply Air							
		3Bar		4Bar		5Bar		6Bar	
		Air to Close	Air to Open	Air to Close	Air to Open	Air to Close	Air to Open	Air to Close	Air to Open
HD250	0°	5,057	4,208	6,824	5,545	8,719	6,894	10,637	8,231
	45°	2,441	2,325	3,255	3,081	4,069	3,894	4,883	4,650
	90°	4,418	4,999	5,871	6,684	8,486	8,486	8,603	10,346
HD300	0°	7,830	6,516	10,566	8,586	13,500	10,674	16,470	12,744
	45°	3,780	3,600	5,040	4,770	6,300	6,030	7,560	7,200
	90°	6,840	7,740	9,090	10,350	11,160	13,140	13,320	16,020
HD350	0°	10,620	11,340	14,400	15,750	19,440	19,170	25,740	21,600
	45°	6,210	5,850	8,640	7,920	10,440	9,990	12,330	11,970
	90°	9,540	10,080	12,600	13,410	16,020	17,820	18,450	24,120
HD400	0°	13,871	14,811	18,808	20,571	25,391	25,038	33,620	28,212
	45°	8,111	7,641	11,285	10,344	13,636	13,048	16,104	15,634
	90°	12,460	13,166	16,457	17,515	20,924	23,275	24,098	31,504

HS Series Torque Table

Model	Angle	Supply Air			
		Air to Open at 4Bar	Air to Open at 5Bar	Air to Open at 6Bar	Spring to Close
HS250	0°	1,053	1,629	2,115	1,170
	45°	531	855	1,206	756
	90°	837	1,620	1,782	1,323
HS300	0°	2,160	3,285	4,320	2,295
	45°	1,062	1,665	2,250	1,350
	90°	1,584	2,844	4,140	2,817
HS350	0°	4,185	6,120	8,010	3,285
	45°	1,305	2,340	3,330	2,457
	90°	1,197	2,880	4,725	4,680